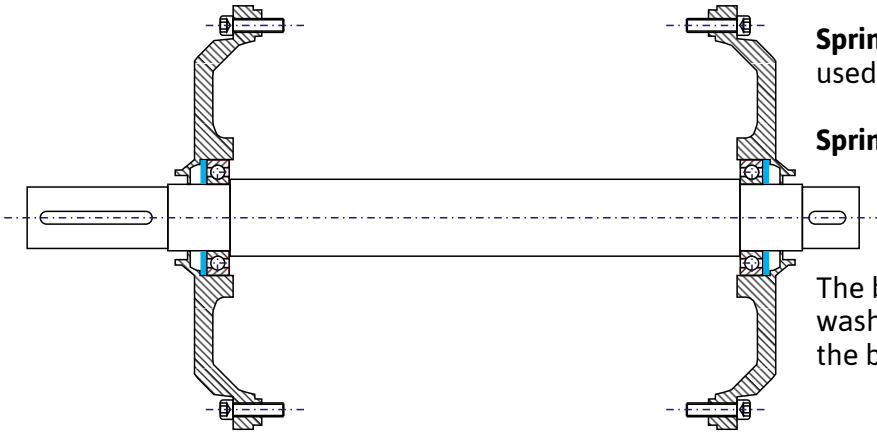




**Bearings pre-loaded with Spring Washers (shaft axial movement allowed)**



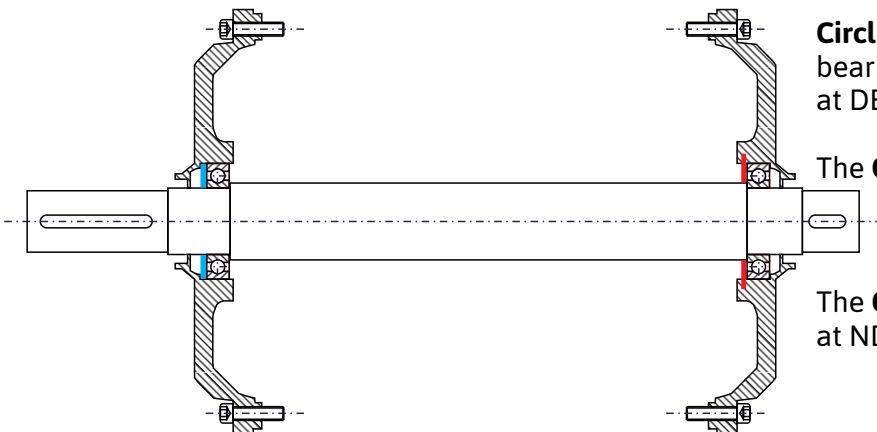
**Spring washer** (or wavy washer) used for bearing pre-loading.

**Spring washer** is marked in **BLUE**



The bearings are not located (fixed). The Spring washers can be behind both bearings or just behind the bearing at NDE or just behind the bearing at DE.

**Bearings located with a Circlip (shaft axial movement reduced to dilatation)**



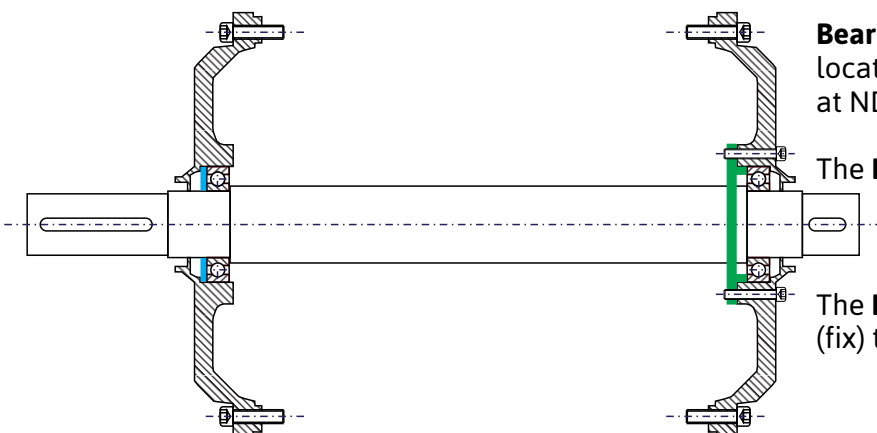
**Circlip** for location (fixing) the bearing at NDE (spring washer at DE)

The **Circlip** is marked in **RED**



The **Circlip** can be used to locate (fix) the bearing at NDE or at DE.

**Bearings located with a Bearing Retainer plate (shaft axial movement reduced to dilatation)**



**Bearing retainer plate** for location (fixing) the bearing at NDE (spring washer at DE)

The **Bearing retainer plate** is marked in **GREEN**



The **Bearing retainer plate** can be used to locate (fix) the bearing at NDE or at DE.